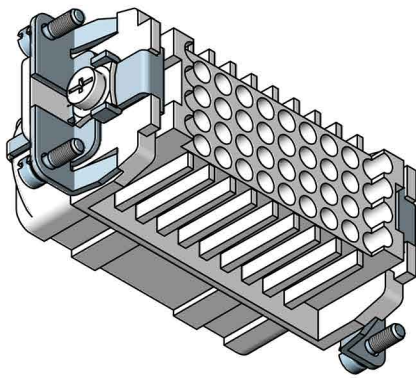


面板安装开孔图
Panel cut out

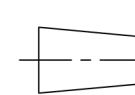
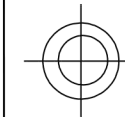


技术参数:

- 插芯:
- 插针数: 40+PE
 - 额定电流: 10A
 - 额定电压: 250V
 - 额定脉冲电压: 4kV
 - 污染等级: 3
 - 依据UL/CSA的额定电压: 600V
 - 绝缘阻抗: $>10^{10}\Omega$
 - 材料: 聚碳酸酯
 - 颜色: RAL 7032 (浅灰色)
 - 温度范围: $-40^{\circ}\text{C} - +125^{\circ}\text{C}$
 - 依据UL 94的阻燃等级: V0
 - 可插拔次数: >500
- 插针:
- 接线方式: 冷压连接
 - 材料: 铜合金
 - 表面处理:
 - 镀银
 - 镀金
 - 接触电阻: $<3\text{m}\Omega$
 - 线径范围: $0.14-2.5\text{mm}^2(26-14\text{ AWG})$
 - 工具:
 - 冷压钳: TL02G
 - 退针器: TL00

Technical specification:

- Inserts:
- No. of contact: 40+PE
 - Rated current: 10A
 - Rated voltage: 250V
 - Rated impulse voltage: 4kV
 - Pollution degree: 3
 - Rated voltage acc.to UL/CSA: 600V
 - Insulation resistance: $>10^{10}\Omega$
 - Material: polycarbonate
 - Colour: RAL 7032(light grey)
 - Temperature range: $-40^{\circ}\text{C} - +125^{\circ}\text{C}$
 - Flammability acc.to UL 94: V0
 - Mating cycles: >500
- Contacts:
- Terminal: crimp terminal
 - Material: copper alloy
 - Surface:
 - Hard-silver plated
 - Hard-gold plated
 - Contact resistance: $<3\text{m}\Omega$
 - Wire gauge: $0.14-2.5\text{mm}^2(26-14\text{ AWG})$
 - Tools:
 - Crimp contact tool: TL02G
 - Contact removal tool: TL00



订货号 Order No.

版本
REV

重量
weight

比例
Scale

产品代号 Part Code

V1.0

62.2g

1:1

SO-HD-040-FC



浙江思美克电气科技有限公司
ZHEJIANG SMICO ELECTRICAL TECHNOLOGY CO.,LTD