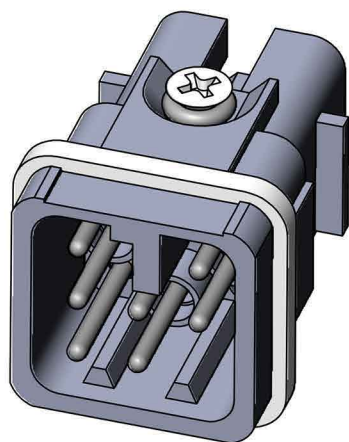
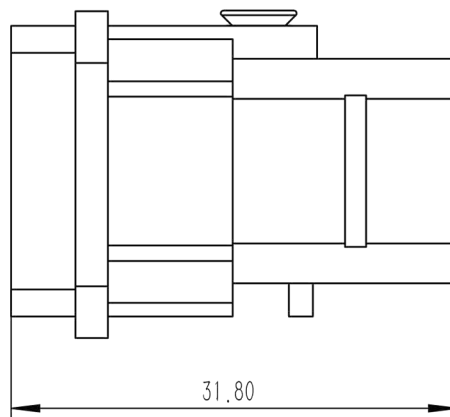
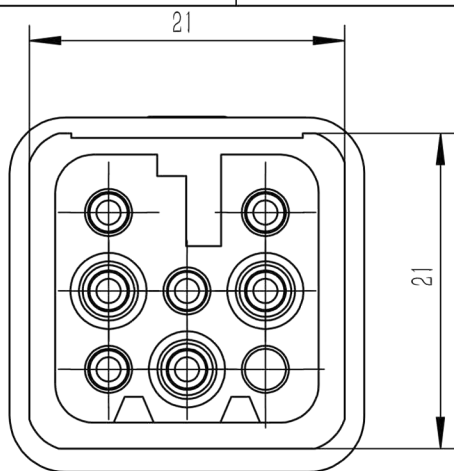


A

B



技术参数:

插芯:

- 插针数: 7+PE
- 额定电流: 10A
- 额定电压: 250V
- 额定脉冲电压: 4kV
- 污染等级: 3
- 依据UL/CSA的额定电压: 600V
- 绝缘阻抗: $> 10^{10}\Omega$
- 材料: 聚碳酸酯
- 颜色: RAL 7032 (浅灰色)
- 温度范围: $-40^{\circ}\text{C} - +125^{\circ}\text{C}$
- 依据UL 94的阻燃等级: V0
- 可插拔次数: > 500

插针:

- 接线方式: 冷压连接
- 材料: 铜合金
- 表面处理:
 - 镀银
 - 镀金
- 接触电阻: $\leq 3\text{m}\Omega$
- 线径范围: $0.14-2.5\text{mm}^2$ (26-14 AWG)
- 工具:
 - 冷压钳: TL02G
 - 退针器: TL00

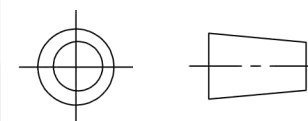
Technical specification:

Inserts:

- No. of contact: 7+PE
- Rated current: 10A
- Rated voltage: 250V
- Rated impulse voltage: 4kV
- Pollution degree: 3
- Rated voltage acc.to UL/CSA: 600V
- Insulation resistance: $> 10^{10}\Omega$
- Material: polycarbonate
- Colour: RAL 7032(light grey)
- Temperature range: $-40^{\circ}\text{C} - +125^{\circ}\text{C}$
- Flammability acc.to UL 94: V0
- Mating cycles: > 500

Contacts:

- Terminal: crimp terminal
 - Material: copper alloy
 - Surface:
 - Hard-silver plated
 - Hard-gold plated
 - Contact resistance: $\leq 3\text{m}\Omega$
 - Wire gauge: $0.14-2.5\text{mm}^2$ (26-14 AWG)
 - Tools:
 - Crimp contact tool: TL02G
 - Contact removal tool: TL00
- Hood/Housings: size 3A(only for plastic)



订货号 Order No.

版本
REV

重量
weight

比例
Scale

产品代号 Part Code

V1.0

7.28g

1:1

SO-HD-007-MC



浙江思美克电气科技有限公司
ZHEJIANG SMICO ELECTRICAL TECHNOLOGY CO.,LTD