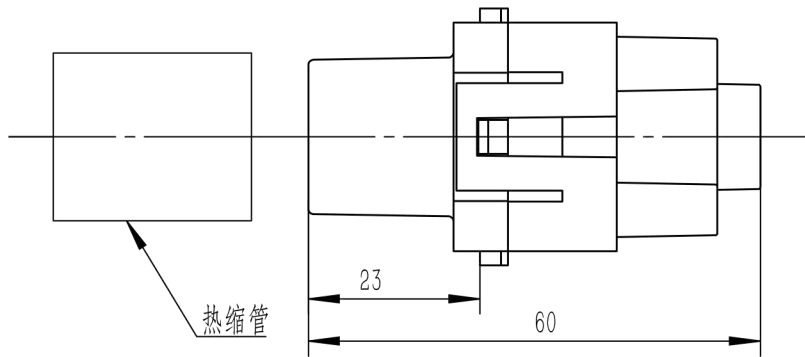
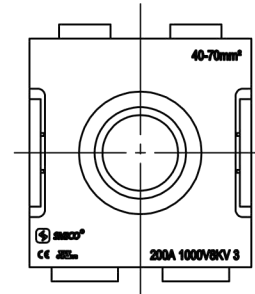


A

B



热缩管



技术参数:

插芯:

- 插针数: 1
- 额定电流: 200A
- 额定电压: 1000V
- 额定脉冲电压: 8kV
- 污染等级: 3
- 依据UL的额定电压: 600V
- 绝缘阻抗: $>10^{10}\Omega$
- 材料: 聚碳酸酯
- 颜色: RAL 7032 (浅灰色)
- 温度范围: $-40^{\circ}\text{C} - +125^{\circ}\text{C}$
- 依据UL 94的阻燃等级: V0
- 可插拔次数: >500

插针:

- 接线方式: 轴向螺栓连接
- 材料: 铜合金
- 表面处理: 镀银
- 接触电阻: $<0.2\text{m}\Omega$
- 线径范围: 25-70mm²
- 内角扳手: SW-5*150
- 剥线长度: 16mm
- 拧紧力矩:

· mm ² : 25	35	50	70
· N·m: 8	8	9	10

Technical specification:

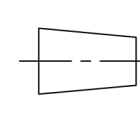
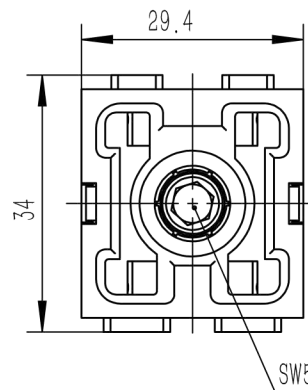
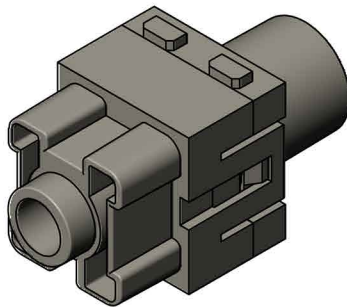
Inserts:

- No. of contact: 1
- Rated current: 200A
- Rated voltage: 1000V
- Rated impulse voltage: 8kV
- Pollution degree: 3
- Rated voltage acc.to UL: 600V
- Insulation resistance: $>10^{10}\Omega$
- Material: polycarbonate
- Colour: RAL 7032(light grey)
- Temperature range: $-40^{\circ}\text{C} - +125^{\circ}\text{C}$
- Flammability acc.to UL 94: V0
- Mating cycles: >500

Contacts:

- Terminal: axial screw terminal
- Material: copper alloy
- Surface: hard-silver plated
- Contact resistance: $<0.2\text{m}\Omega$
- Wire gauge: 25-70mm²
- Hexagonal driver: SW-5*150
- Stripping length: 16mm
- Tightening torque:

· mm ² : 25	35	50	70
· N·m: 8	8	9	10



订货号 Order No.

版本
REV重量
weight比例
Scale

产品代号 Part Code

V1.0

63.6g

1:1

SO-H2MK-001-F



浙江思美克电气科技有限公司
ZHEJIANG SMICO ELECTRICAL TECHNOLOGY CO.,LTD